

## To Achieve Greatness, You Need to Have Backbone

### Introducing the Monster Power Backbone™

To achieve serious home theater, you need stable, clean power with lots of headroom. Like the rhythm section of your favorite band, this is the “backbone” of your audio/video system. Without a proper backbone, your electronics won't be able to achieve all the performance you paid for. The Monster Power Backbone delivers serious home theater with four powerful components: Monster's AVS 2000 Automatic Voltage Stabilizer™ corrects voltage irregularities and provides stable power. Monster's HTPS 7000 Home Theatre Reference PowerSource™ filters “dirty” AC power and provides clean power for better sound and picture. Monster Home Theatre Music™ Reference Power Amplifiers provide all the power needed to drive your speakers without distortion or noise, even at the highest playback levels. You'll hear every nuance of your favorite movies and music the way the director or artist intended you to hear it. To learn more about the Monster Power Backbone or the importance of high performance cables, please visit: [www.MonsterPower.com](http://www.MonsterPower.com) and [www.MonsterCable.com](http://www.MonsterCable.com).

### MONSTER POWER® AMPLIFICATION

Monster® Home Theatre Music™ Reference Power Amplifiers Feature:

#### EXCLUSIVE MONSTER MIRRORED AMPLIFIER TECHNOLOGY (MMAT™)

- Outperforms ordinary amplifiers by ensuring lower distortion and greater clarity even at maximum volume levels.

#### BALANCED COMPLEMENTARY PUSH-PULL INPUT STAGE

- This feature is found on only the best amplifiers to deliver the ultra-wide bandwidth performance necessary for the best reproduction of high-resolution DVD-Audio and Super Audio CD formats.

#### SEPARATE POWER SUPPLIES

- Unlike AV receivers that may use only one power supply that can cause power sags, Monster Power amplifiers provide separate toroidal power supplies ensuring optimal power delivery even when all channels are driven simultaneously.

#### LOADS OF POWER

- Ordinary AV receivers or HTIBs (home theater in a box) don't have the power necessary to reproduce the audio the film director intended. Monster Reference Home Theatre Music Power Amplifiers deliver up to 250 watts of continuous power, all channels driven, into 8 ohms—400 watts continuous, all channels driven into 4 ohms—and up to 900 watts per channel peak power.

#### EASY-TO-READ DIGITAL MONSTER TRUE POWER METERS™

- Fast, peak-reading digital power meters display ACTUAL power output and dynamic range.

#### BALANCED INPUTS

- Unbalanced inputs found on most AV receivers are susceptible to noise. Monster Power amplifiers also have balanced inputs to eliminate ground-based noise for cleaner, more accurate sonic reproduction.

### MONSTER CLEAN POWER™

Monster Home Theatre Reference PowerSource™ HTP 7000

#### PURE POWER™—THE HIGHEST LEVEL OF MONSTER CLEAN POWER

- Five separate filters designed to eliminate audio and video graininess and harshness in your home theater system.

#### DIGITAL SPECIFIC ISOLATION

- Filters are tuned to eliminate the higher frequencies of “noise” that are prevalent in digital products today. (DVD Players, CD Players, Digital Satellite, etc.).

#### BALANCED POWER

- Designed to eliminate problems caused by separately grounded audio and video components such as 60-cycle buzz and video “hum” bars.

#### MASSIVE 3145 JOULE SURGE RATING

- Strong enough to handle the most powerful of surges to your delicate home theater system/electronics.

### MONSTER VOLTAGE STABILIZATION

Automatic Voltage Stabilizer—AVS 2000

- Provides the consistent 120-volt output your electronics depend on even when your home's AC power fluctuates anywhere from 80 to 140 volts.

#### PROTECTION

- Automatically protects connected equipment in the event of extended over-voltage. Also protects equipment during post-blackout instability. Safely disconnects connected equipment when voltage falls out of range (80-140v).

#### PERFORMANCE

- Unstable power affects signal-to-noise ratio, taxes your amplifier's power, shortens product life and forces your TV to struggle to maintain its geometry and alignment.



MPA  
3250

MPA  
2250

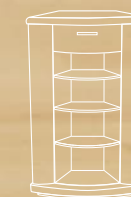
HTPS  
7000

AVS  
2000



M · D E S I G N™

CENTRA™



CENTRA™ AUDIO/VIDEO COMPONENT TOWER 600  
OWNER'S GUIDE

M·Design  
7251 Lake Mead Blvd., West  
Las Vegas, Nevada 89128 · U.S.A.  
Call us toll-free: 866-563-6388  
E-mail: [CustomerService@MDesignLife.com](mailto:CustomerService@MDesignLife.com)  
[www.MDesignLife.com](http://www.MDesignLife.com)



© M-Design 2004. "M-Design", "Centra", the M-Design logo, the M-Design Centra Logo, "StreamLine", "InvisiSound Frame", "Home Theatre Audio/Video Component Tower", "Monster Home Theatre Music", and "Monster True Power Meters" are registered and unregistered trademarks of M-Design. Other names, logos and marks are trademarks or registered trademarks of their respective holders. M-Design products are designed in the U.S.A. and manufactured to M-Design specifications and quality in China. Product specifications subject to change without notice. Images and illustrations in this guide may vary from actual product purchased.

rm 164285



Noel Lee

## A Note From Noel Lee

**THANK YOU** for purchasing my Centra™ Audio/Video Component Tower 600. And welcome to the exciting world of M·Design Centra—where high technology never looked this good. Your new Centra Component Tower houses your electronics behind a stylish curved glass or wooden door, providing a way to protect and showcase your components while handsomely complementing the décor of your home.

Your Centra™ Audio/Video Component Tower 600 is made with a beautiful high gloss finish, and is designed to look fantastic with the door open or closed. We've also made it easy for you to change out the included storage drawer and install a custom-design, integrated Monster PowerCenter AC power conditioner.

This owner's guide outlines how to install shelving, properly connect the cooling fans and get the most from your new Component Tower. Also included is a list of optional enhancements to help you build the best possible home theater system. I hope you enjoy your new Centra™ Audio/Video Component Tower 600, and agree that its combination of home electronics functionality and sleek good looks make it a welcome addition to your home.

Noel Lee  
Head Designer, M·Design

## Important Safety Precautions

Please read and observe the following safety points at all times:

### Power Sources

- ⚠ Do not plug your AV system into a power outlet other than a properly grounded 110 volt AC outlet. (For best results, Monster Power voltage stabilization, surge protection and power conditioning products are highly recommended).
- ⚠ Power surges and spikes can enter your AV system through AC power cords and damage your components. We highly recommend connecting your entire AV system, including all AC power adaptors, through surge protection products.

### Power Cord Safety

- ⚠ Do not create a trip hazard with power cords. When routing cords or cables, do not place near heavy foot traffic areas (e.g., hallways, doorways, or kitchen floors).
- ⚠ If a power cord begins to rip or fray—exposing the internal wiring or shielding—disconnect it from the power source and discontinue use immediately until replaced.

### Avoiding Electrical Shocks

- ⚠ Do not operate AV Components if liquid of any kind is spilled on or inside them.
- ⚠ Do not operate AV Components in a place where it might be exposed to water (e.g., patio, outdoors).

### Storm Precautions

- ⚠ In the event of a lightning storm, immediately disconnect all A/V equipment from their AC outlets.

### Exposure to Heat

- ⚠ Do not expose to direct sunlight or place near wall heaters, space heaters, or any enclosed space prone to temperature increases

If, for any reason, your Centra AV Component Tower is not operating properly, do not disassemble or remove any part of the unit for repair. Instead, unplug and consult the included Warranty sheet.

For more information visit: [www.MDesignLife.com](http://www.MDesignLife.com).

## Care and Maintenance

### Placement

- Avoid placing your AV Tower in an area with extended exposure to direct sunlight. Ultraviolet rays can cause fading, darkening and/or create hairline cracks in the finish.
- Avoid placing near heaters, air-conditioners, humidifiers, fireplaces or space heaters. Exposure to extreme temperature variation can damage wood.

### Protection

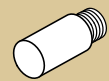
A high-gloss finish offers your center's veneer top some protection. However, you may want to take additional steps for added protection:

- Move any decorations placed on wood surfaces to different areas of the center every few months to avoid discoloration.
- Lift your AV components instead of dragging them across wood surfaces to avoid scratching.
- Affix felt discs (not supplied) to the feet of your AV components to avoid indentations.

### Cleaning

- Dust often to remove abrasive particles from the surface.
- Use a clean, lint-free cloth. Dampen the cloth slightly with water and wipe down wood surfaces to remove dust. Do not let any moisture remain on surfaces.
- Do not polish excessively—use a quality wood polish only two or three times a year to avoid build-up.

## Included Hardware

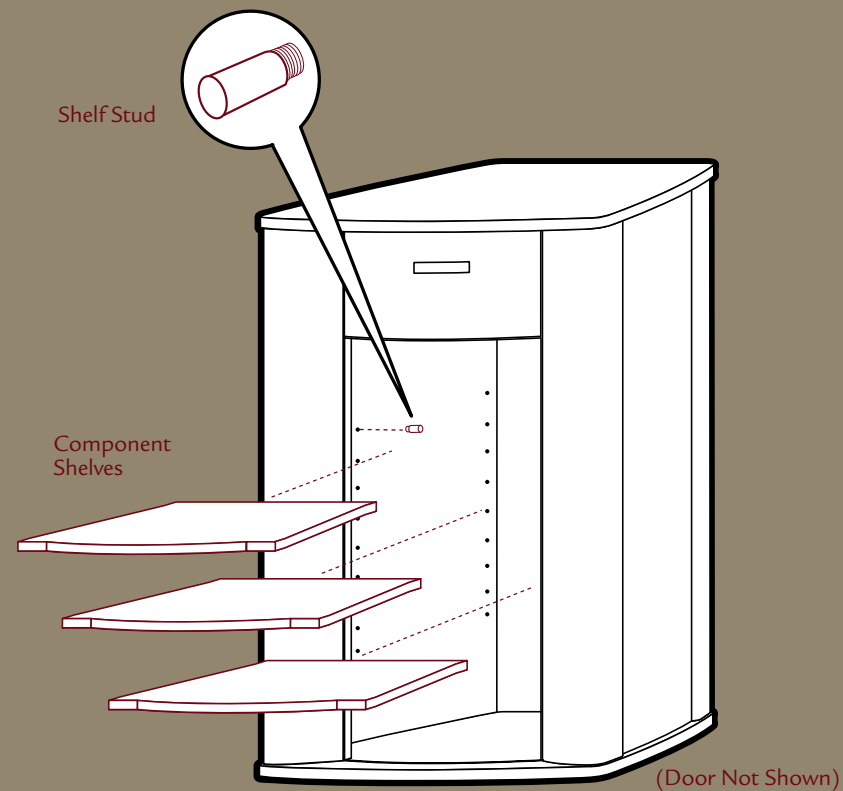


**Shelf Stud**  
12 pc



**Component Shelf**  
3 pc

## Setup and Installation



### Step 1

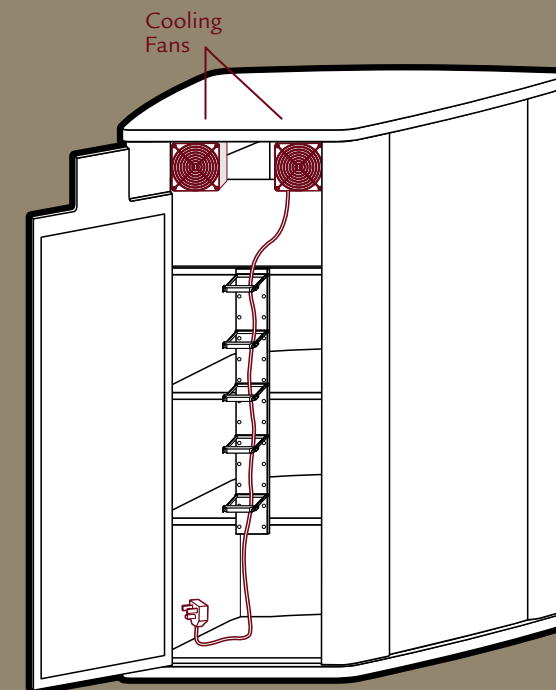
#### Installing Component Shelves

Move and place all parts on a soft, flat surface before assembly. Decide where your components will go: the heaviest ones should go on the bottom and the lighter ones on the top. After measuring how tall each component is, install component shelves by screwing the 12 included shelf studs (4 per shelf) into the sides. Lay shelves on top of the studs.

### Step 2

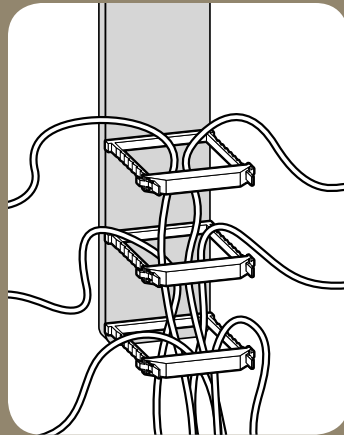
#### Connecting Power Supply for Thermal Ventilation System

Your AV Component Tower comes equipped with integrated internal fans to help keep your components cool, protect their longevity and maintain an appropriate operating temperature.

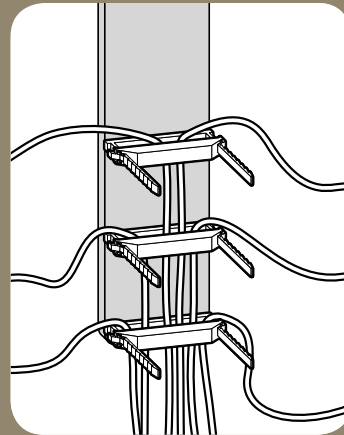


To power the fans, open the back door and plug the power supply into a power outlet.

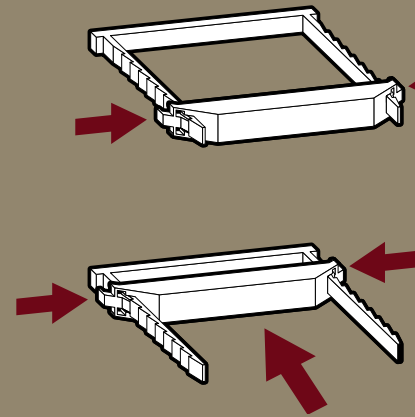
*Tip: If you'd like the fans to switch on and off in sync with your system. We recommend plugging the fans into a switched outlet on your receiver or Monster PowerCenter.*



Cable clamps open for routing of cables



Cable clamps tighten to secure cables in place



To loosen, push side tabs and pull clamp towards you

To tighten, push side tabs and push clamp in

### Step 3

#### Using the Monster Cable Management System

Your Component Tower comes equipped with the patented Monster Cable Management System. This system conceals and organizes your cables to virtually eliminate the unsightly mass of cables behind most home theater systems. Using it is fast and easy:

1. Open rear access door.
2. Run all cables and power cords down towards the floor or to other components through the cable clamps, which you can open completely or close/clamp by squeezing both sides.

3. Once your cables are organized and in place, close the cable clamps as shown. Then close the rear doors.

*Tip: For best audio video performance, avoid running AC Power cables alongside line level interconnect cables. Try and separate these types of cables or run perpendicular to each other.*

## Optional Enhancements to Create the Best Possible Home Theater Experience

(each sold separately)

### Centra Door Color Options

Made of elegant curved glass and handsome hardwood veneers, these custom-made doors are designed to integrate perfectly into your home decor and your M·Design Centra Audio/Video Console or Tower. Glass door options available for your light cherry or dark cherry Centra AV Console or Component Tower; solid wood door option available for piano black Centra units. A tasteful “custom touch” to help reveal or conceal your components while maintaining



High Gloss Piano Black

### Centra StreamLine™ Towers, Center and Surrounds

Big, powerful bass is perfectly complimented by the Centra StreamLine system of towers, surrounds and center channel speakers. Matched by design and performance, Centra StreamLine gives you the “Wall of Sound” dynamics that bring passion and energy to home theater audio and multi-channel music.



### Monster Power® Home Theatre PowerCenter™ for M·Design

Designed exclusively to integrate seamlessly into Centra Consoles & Towers, the Monster PowerCenter for M·Design protects components from harmful power surges while exclusive Clean Power™ circuitry filters AC power “noise” to give you highest quality sound and picture. Also features ultra-low loss RF circuitry to provide maximum protection with virtually no signal loss—especially important with the advent of HDTV—and revolutionary, component-specific noise filter isolation between digital, audio and video outlets to reject even more performance-mitigating power pollution found on most home AC lines.



### M·Design Remote Control Transmitter™ Infrared Receiver System

This compact, concealed and completely integrated remote control unit custom-fits inside or on top of your Consoles or Towers so you can use your existing remotes even when the wooden front doors are closed. Installs quickly and easily.



### Centra M·Bass 1000 High Performance Subwoofer

Complete your ultra-high performance home theater music system with Centra M·Bass 1000 Subwoofers. Featuring a rigid 10" cone and ultra-long 3" voice coil—driven by powerful 500 Watt amplifier—you'll enjoy all the clean, tight bass your movies and music have to offer.



### Centra Flat Screen InvisiSound® Frame Sound System

Advanced and powerful left, center and right channel home theater audio system completely concealed behind an attractive flatscreen TV frame. A great way to keep your room free of boxy, unattractive speakers while enjoying spectacular sound. Features three high-resolution line arrays to produce more natural sound dispersion than conventional point-source speakers.



### Monster® Speaker Cable and Interconnects

For over 25 years, Monster® has painstakingly designed and engineered speaker cables and interconnects that are used worldwide by audiophiles and home theater enthusiasts for quality audio hookup between components and speakers. This technology is available to you so that you can get the best possible performance from your home theater.



### Monster Power®

Protect and optimize the performance of all your audio and video components with Monster Power voltage stabilizers, power conditioners and amplifiers. Not only will you save your components from potentially hazardous spikes and surges, you'll also enhance their ability to perform by providing them with stable, clean power. View Monster's ultimate Power Backbone system on the back cover of this guide.



See your M·Design dealer for ordering information or visit [www.MDesignLife.com](http://www.MDesignLife.com)