

## To Achieve Greatness, You Need to Have Backbone

### Introducing the Monster Power Backbone™

To achieve serious home theater, you need stable, clean power with lots of headroom. Like the rhythm section of your favorite band, this is the “backbone” of your audio/video system. Without a proper backbone, your electronics won't be able to achieve all the performance you paid for. The Monster Power Backbone delivers serious home theater with four powerful components: Monster's AVS 2000 Automatic Voltage Stabilizer™ corrects voltage irregularities and provides stable power. Monster's HTPS 7000 Home Theatre Reference PowerSource™ filters “dirty” AC power and provides clean power for better sound and picture. Monster Home Theatre Music™ Reference Power Amplifiers provide all the power needed to drive your speakers without distortion or noise, even at the highest playback levels. You'll hear every nuance of your favorite movies and music the way the director or artist intended you to hear it. To learn more about the Monster Power Backbone or the importance of high performance cables, please visit: [www.MonsterPower.com](http://www.MonsterPower.com) and [www.MonsterCable.com](http://www.MonsterCable.com).

## MONSTER POWER® AMPLIFICATION

Monster® Home Theatre Music™ Reference Power Amplifiers Feature:

### EXCLUSIVE MONSTER MIRRORED AMPLIFIER TECHNOLOGY (MMAT™)

- Outperforms ordinary amplifiers by ensuring lower distortion and greater clarity even at maximum volume levels.

### BALANCED COMPLEMENTARY PUSH-PULL INPUT STAGE

- This feature is found on only the best amplifiers to deliver the ultra-wide bandwidth performance necessary for the best reproduction of high-resolution DVD-Audio and Super Audio CD formats.

### SEPARATE POWER SUPPLIES

- Unlike AV receivers that may use only one power supply that can cause power sags, Monster Power amplifiers provide separate toroidal power supplies ensuring optimal power delivery even when all channels are driven simultaneously.

### LOADS OF POWER

- Ordinary AV receivers or HTIBs (home theater in a box) don't have the power necessary to reproduce the audio the film director intended. Monster Reference Home Theatre Music Power Amplifiers deliver up to 250 watts of continuous power, all channels driven, into 8 ohms—400 watts continuous, all channels driven into 4 ohms—and up to 900 watts per channel peak power.

### EASY-TO-READ DIGITAL MONSTER TRUE POWER METERS™

- Fast, peak-reading digital power meters display ACTUAL power output and dynamic range.

### BALANCED INPUTS

- Unbalanced inputs found on most AV receivers are susceptible to noise. Monster Power amplifiers also have balanced inputs to eliminate ground-based noise for cleaner, more accurate sonic reproduction.

## MONSTER CLEAN POWER™

Monster Home Theatre Reference PowerSource™ HTP 7000

### PURE POWER™—THE HIGHEST LEVEL OF MONSTER CLEAN POWER

- Five separate filters designed to eliminate audio and video graininess and harshness in your home theater system.

### DIGITAL SPECIFIC ISOLATION

- Filters are tuned to eliminate the higher frequencies of “noise” that are prevalent in digital products today. (DVD Players, CD Players, Digital Satellite, etc.).

### BALANCED POWER

- Designed to eliminate problems caused by separately grounded audio and video components such as 60-cycle buzz and video “hum” bars.

### MASSIVE 3145 JOULE SURGE RATING

- Strong enough to handle the most powerful of surges to your delicate home theater system/electronics.

## MONSTER VOLTAGE STABILIZATION

Automatic Voltage Stabilizer—AVS2000

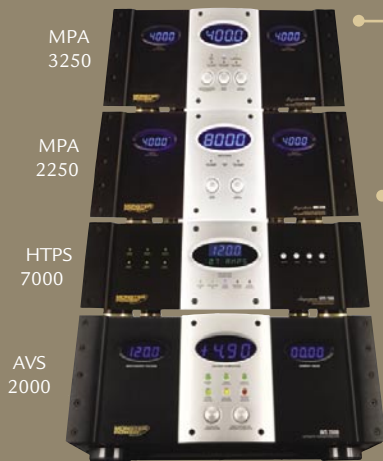
- Provides the consistent 120-volt output your electronics depend on even when your home's AC power fluctuates anywhere from 80 to 140 volts.

### PROTECTION

- Automatically protects connected equipment in the event of extended over-voltage. Also protects equipment during post-blackout instability. Safely disconnects connected equipment when voltage falls out of range (80-140v).

### PERFORMANCE

- Unstable power affects signal-to-noise ratio, taxes your amplifier's power, shortens product life and forces your TV to struggle to maintain its geometry and alignment.



MPA  
3250

MPA  
2250

HTPS  
7000

AVS  
2000



CENTRA™ AUDIO/VIDEO CONSOLE 600

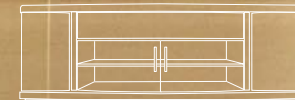
OWNER'S GUIDE

M-Design  
7251 Lake Mead Blvd., West  
Las Vegas, Nevada 89128 · USA  
Call us toll-free: 866-563-6388  
E-mail: [CustomerService@MDesignLife.com](mailto:CustomerService@MDesignLife.com)  
[www.MDesignLife.com](http://www.MDesignLife.com)



© M-Design 2004. “M-Design”, “Centra”, the M-Design logo, the M-Design Centra Logo, “StreamLine”, “InvisiSound Frame”, “Home Theater Audio/Video Console”, “Monster Home Theater Music”, and “Monster True Power Meters” are registered and unregistered trademarks of M-Design. Other names, logos and marks are trademarks or registered trademarks of their respective holders. M-Design products are designed in the U.S.A. and manufactured to M-Design specifications and quality in China. Product specifications subject to change without notice. Images and illustrations in this guide may vary from actual product purchased.

rm 164283





Noel Lee

## A Note From Noel Lee

**THANK YOU** for purchasing my Centra™ Audio/Video Console 600. And welcome to the exciting world of M·Design Centra—where high technology never looked this good. Your new Centra Audio/Video Console houses your electronics behind stylish curved glass or wooden doors, providing a way to protect and showcase your components while handsomely complementing the décor of your home.

Your Centra™ Audio/Video Console can be used as a base for a television, or with an optional M·Design mounting system, support a flat screen television without the need to attach it to your walls.

We built the Centra™ Audio/Video Console with a high gloss finish and designed it to look fantastic with the doors open or closed. We've also built-in an acoustically transparent center shelf to make it easy to install a center channel speaker, an optional Monster Power® Home Theatre PowerCenter™ for M·Design, or a center channel speaker, or a media storage drawer. And with its heavy-duty castors, you can roll your Console away from the wall for cleaning or to access connections.

This guide outlines how to install shelving, adjust castor stops, properly connect the cooling fans and get the most from your new Console. Also included is a list of optional enhancements to help you build the best possible home theater system. Your Centra™ Audio/Video Console 600 combines home electronics functionality and sleek good looks which we hope will make it the center for all your home theater needs.

Noel Lee  
Head Designer, M·Design

## Important Safety Precautions

Please read and observe the following safety points at all times:

### Power Sources

- ⚠ Do not plug your AV system into a power outlet other than a properly grounded 110 volt AC outlet. (For best results, Monster Power voltage stabilization, surge protection and power conditioning products are highly recommended).
- ⚠ Power surges and spikes can enter your AV system through AC power cords and damage your components. We highly recommend connecting your entire AV system, including all AC power adaptors, through surge protection products.

### Power Cord Safety

- ⚠ Do not create a trip hazard with power cords. When routing cords or cables, do not place near heavy foot traffic areas (e.g., hallways, doorways, or kitchen floors).
- ⚠ If a power cord begins to rip or fray—exposing the internal wiring or shielding—disconnect it from the power source and discontinue use immediately until replaced.

### Avoiding Electrical Shocks

- ⚠ Do not operate AV components if liquid of any kind is spilled on or inside them.
- ⚠ Do not operate AV components in a place where it might be exposed to water (e.g., patio, outdoors).

### Storm Precautions

- ⚠ In the event of a lightning storm, immediately disconnect all AV equipment from their AC outlets.

### Exposure To Heat

- ⚠ Do not expose to direct sunlight or place near wall heaters, space heaters, or any enclosed space prone to temperature increases.

If, for any reason, your Centra AV Console is not operating properly, do not disassemble or remove any part of the unit for repair. Instead, unplug and consult the included Warranty sheet.

For more information visit: [www.MDesignLife.com](http://www.MDesignLife.com)

## Care and Maintenance

### Placement

- Avoid placing your Console in an area with extended exposure to direct sunlight. Ultraviolet rays can cause fading, darkening and/or create hairline cracks in the finish.
- Avoid placing near heaters, air-conditioners, humidifiers, fireplaces or space heaters. Exposure to extreme temperature variation can damage wood.

### Protection

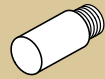
A high-gloss finish offers some protection. However, you may want to take additional steps for added protection:

- Move decorations placed on wood surfaces to different areas every few months to avoid discoloration.
- Lift your AV components and display objects instead of dragging them across wood or glass surfaces to avoid scratching.
- Affix felt discs (not supplied) to the feet of your AV components to avoid indentations or scratches.

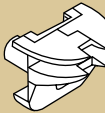
### Cleaning

- Dust often to remove abrasive particles from the surface.
- Use a clean, lint-free cloth. Dampen the cloth slightly with water and wipe down surfaces to remove dust. Do not let any moisture remain on surfaces.
- Do not polish excessively—use a quality wood polish only two or three times a year to avoid build-up.

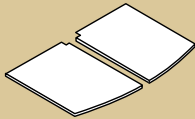
## Included Hardware



Shelf Stud  
8 pc



Glass Shelf Clip  
6 pc

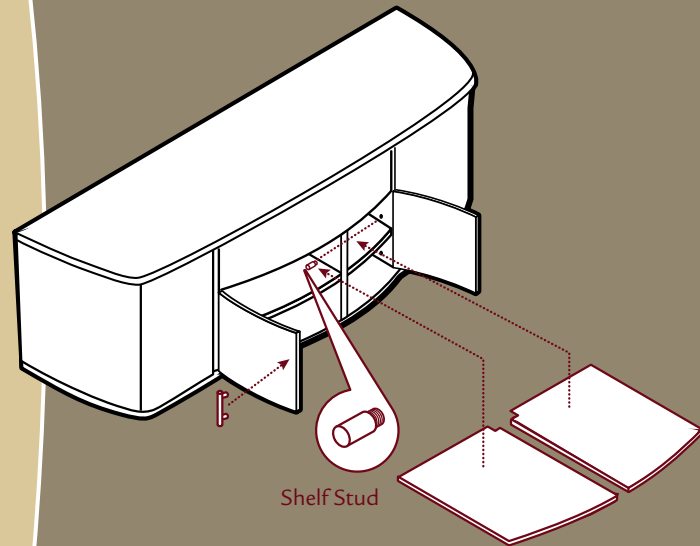


Component Shelf  
2 pc



Side Cabinet  
Glass Shelf  
2 pc

## Setup and Installation

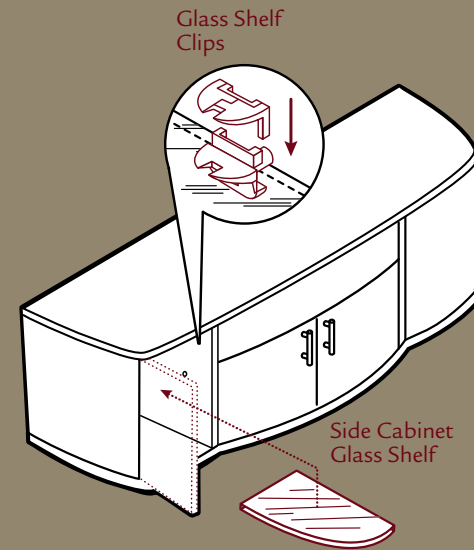


### Step 1

#### Installing Component Shelves & Door Handles

First, decide where your components will go: the heaviest ones should go on the bottom and the lighter ones on the component shelves. After measuring how tall each component is, install the component shelves by screwing the 8 included component shelf studs (4 per shelf) into the sides and center divider. Lay shelves on top of the studs.

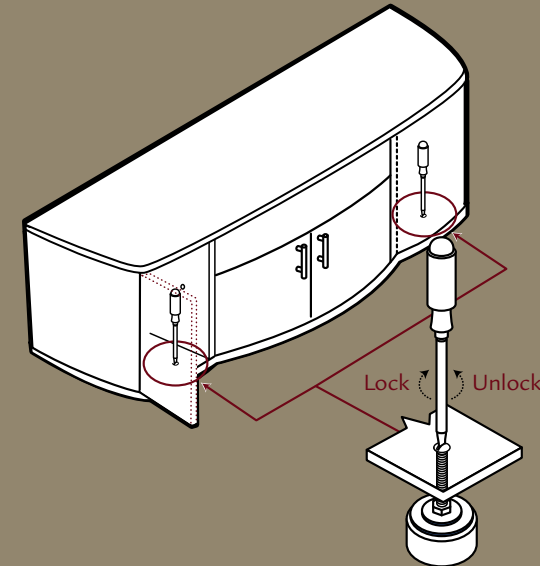
**Note:** Door handles are pre-installed on the inside of the doors to protect them during shipping. Remove door handles and re-install on front of doors, as shown.



### Step 2

#### Installing Side Cabinet Glass Shelves

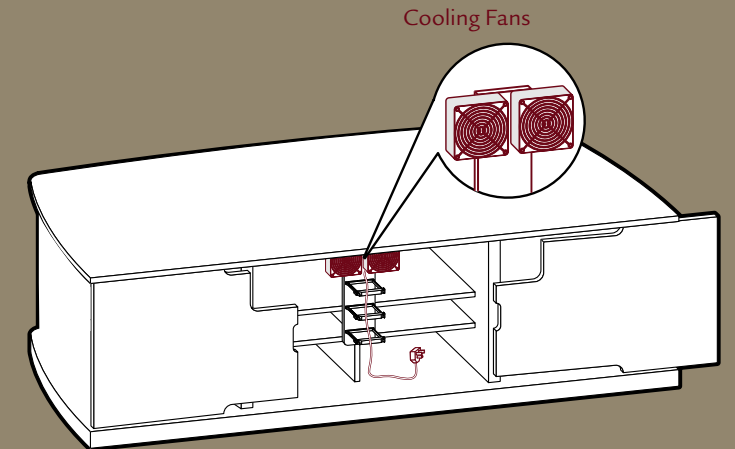
The side cabinets are custom-designed to house optional Centra Component Center Subwoofers (see **Optional Enhancements**) or other home theater speakers. You can instead install glass shelves and use the space for storage. To install, first choose shelf height, and then install three glass shelf clips (use bottom half only) in corresponding shelf holes. Place shelves on top of clips and secure with the top half of each clip, as shown.



### Step 3

#### Adjusting Caster Stops

Your AV Console has heavy-duty casters that allow it to be smoothly rolled away from the wall while loaded for easier access to component cables or for floor cleaning. Two built-in wheel-stops lock the AV Console in place. To lower stops, use a Flathead screwdriver and turn the stops as shown. Note that turning the screws requires more force as the stops take more weight off the Console. Also note that the stops are not designed to lift the Console off the ground, but rather to prevent the unit from moving.



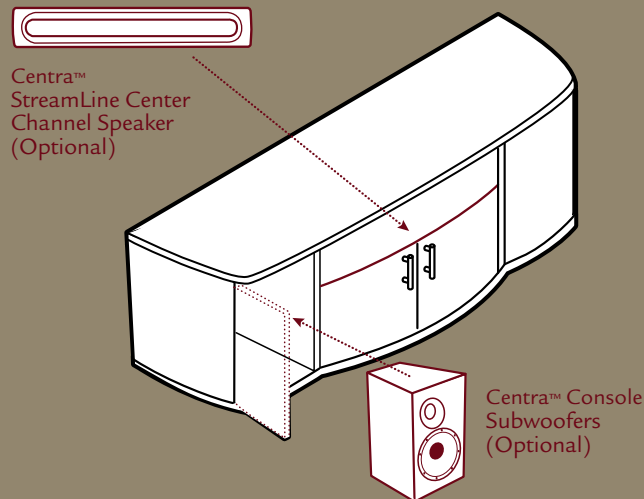
### Step 4

#### Connecting Power Supply for Thermal Ventilation System

Your AV Console comes equipped with integrated internal fans to help keep your components cool, protect their longevity and maintain an appropriate operating temperature. To power the fans, slide open the back doors and plug the power supply into a power outlet.

**Tip:** If you'd like the fans to switch on and off in sync with your system, we recommend plugging the fans into a switched outlet on your receiver or Monster PowerCenter.

## Setup and Installation



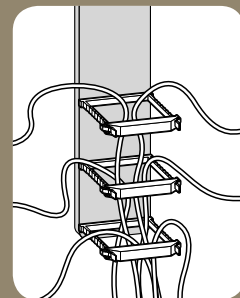
### Step 5

#### Adding Optional Home Theater Speakers

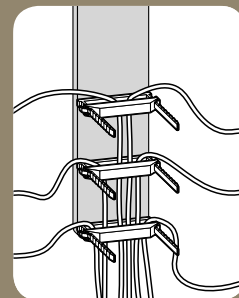
One of the main features of the AV Console is its ability to hide home theater speakers behind closed doors. The cabinet doors at either end are acoustically transparent, allowing you to “hide” speakers behind them and still hear them perfectly. Gently pull outwards to swing doors open. These two areas can be used to house left and right channel home theater speakers or a pair of optional Centra Component Center Subwoofers (see **Optional Enhancements**.)

Power and signal cables for subwoofers should be run through the cable port from the center compartment to the subwoofer compartments.

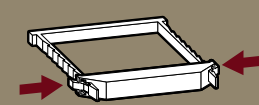
The top shelf above the center cabinet is also acoustically transparent and is ideal for placement of a Centra Center Channel home theater speaker.



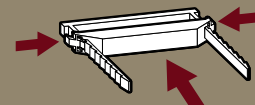
Cable clamps open for routing of cables



Cable clamps tighten to secure cables in place



To loosen, push side tabs and pull clamp towards you



To tighten, push side tabs and push clamp in

### Step 6

#### Using the Monster Cable Management System

Your AV Console comes equipped with the patented Monster Cable Management System. This system conceals and organizes your cables to virtually eliminate the unsightly mass of cables behind most home theater systems. Using it is fast and easy:

1. Slide open rear access doors.
2. Run all cables and power cords down towards the floor or to other components through the cable clamps, which you can open completely or close/clamp by squeezing both sides.
3. Once your cables are organized and in place, close the cable clamps as shown. Slide the rear doors closed.

**Tip:** For best audio video performance, avoid running AC Power cables alongside line level interconnect cables. Try and separate these types of cables or run perpendicular to each other.

## Optional Enhancements to Create the Best Possible Home Theater Experience

(each sold separately)

### Centra Door Color Options

Made of elegant curved glass and handsome hardwood veneers, these custom-made doors are designed to integrate perfectly into your home decor and your M-Design Centra Audio/Video Console. Glass door options available for your light cherry or dark cherry Centra AV Console or Component Tower; solid wood door option available for piano black Centra units. A tasteful “custom touch” to help reveal or conceal your components while maintaining seamless form and function.



High Gloss Piano Black

### Centra Storage Drawer Option

Sturdy and handsome hardwood drawer designed to custom fit and color-match your M-Design Audio/Video Console. Just slide into the top center shelf area and use the space for remotes, media, extra cables or anything else you might want to store.

### M-Design Flat Screen TV Mounting System

Mount a flat screen TV directly to your Console for an on-wall look without the custom installation costs.

### M-Design Remote Control Transmitter™ Infrared Receiver System

This compact, concealed and completely integrated remote control unit custom-fits inside or on top of your Console or Tower so you can use your existing remotes even when wooden front doors are closed. Installs quickly and easily.

### Monster Power® Home Theatre PowerCenter™ for M-Design

Designed exclusively to integrate seamlessly into Centra Consoles & Towers, the Monster PowerCenter for M-Design protects components from harmful power surges while exclusive Clean Power™ circuitry filters AC power “noise” to give you highest quality sound and picture. Also features ultra-low loss RF circuitry to provide maximum protection with virtually no signal loss—especially important

with the advent of HDTV—and revolutionary, component-specific noise filter isolation between digital, audio and video outlets to reject even more performance-mitigating power pollution found on most home AC lines.

### Centra Audio/Video Console Subwoofers (Pair)

Reference-quality subwoofers custom designed to fit inside Centra Consoles to deliver thunderous low frequency effects and keep your room free of boxy external subs. Powerful 250-watt amplifiers and 10-inch front-firing drivers inside a ported enclosure fills your room with powerful bass while remaining completely concealed.



### Centra Flat Screen InvisiSound® Frame Sound System

Advanced and powerful left, center and right channel home theater audio system completely concealed behind an attractive flatscreen TV frame. A great way to keep your room free of boxy, unattractive speakers while enjoying spectacular sound. Features three high-resolution line arrays containing up to 57 separate drivers to produce more natural sound dispersion than conventional point-source speakers.



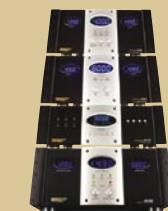
### Monster® Speaker Cable and Interconnects

For over 25 years, Monster® has painstakingly designed and engineered speaker cables and interconnects that are used worldwide by audiophiles and home theater enthusiasts for quality audio hookup between components and speakers. This technology is available to you so that you can get the best possible performance from your home theater.



### Monster Power®

Protect and optimize the performance of all your audio and video components with Monster Power voltage stabilizers, power conditioners and amplifiers. Not only will you save your components from potentially hazardous spikes and surges, you'll also enhance their ability to perform by providing them with stable, clean power. View Monster's ultimate Power Backbone system on the back cover of this guide.



See your M-Design dealer for ordering information or visit [www.MDesignLife.com](http://www.MDesignLife.com)